

Model KLRC-200, KLRC-300

Features

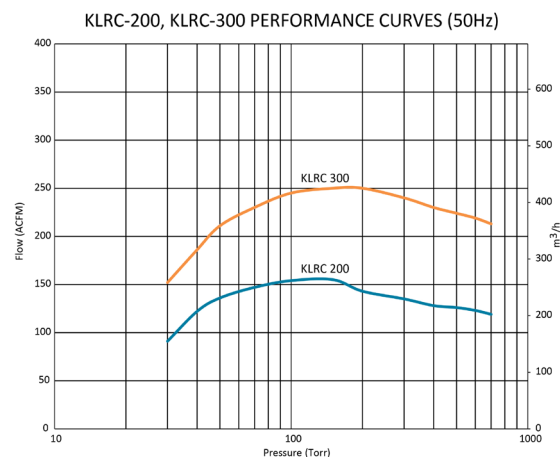
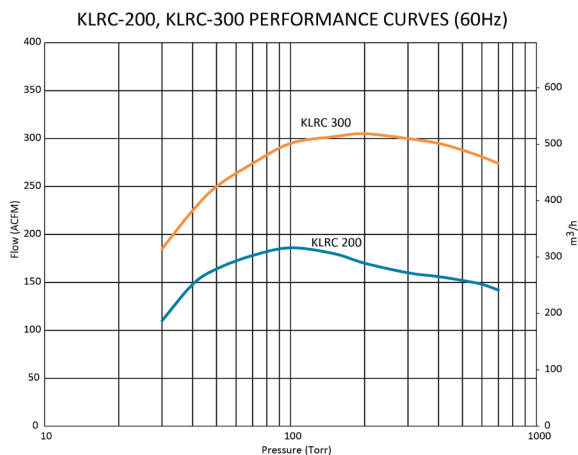
- Impellers positively locked to shaft
- Reliable mechanical seals for high-integrity sealing and low shaft friction
- Center-anchored tie rods allow access to either end of the pump without total disassembly
- Precision casting and CNC machining eliminates the need for body gasketing (process dependent)
- Replaceable end plates
- Clearance adjustments via shims
- Made in the USA



| KLRC - 200/300 Material & Seal Code | | |
|---|---|---|
| KLRC-200/300 XY | X | Material code |
| | Y | Mechanical seal code |
| Material Code (X) | F | Cast iron casings, SS316L impellers & SS316 shaft |
| | C | All wetted parts SS316L & SS316 shaft |
| Mechanical Seal Code (Y) | A | John Crane Type 21 Carbon/Ceramic/Viton |
| | D | Flowserve Type RO Carbon/Durchrome/Viton. |
| | L | PTFE encapsulated Viton O-Rings |
| Consult factory for alternate seal configurations | | |

| Specifications | KLRC-200 | | KLRC-300 | |
|---------------------------------------|-------------------------|----------|----------|----------|
| | 60 Hz | 50 Hz | 60 Hz | 50 Hz |
| Motor Power | 15 HP | 11 KW | 25 HP | 18.5 KW |
| Pump Speed | 1750 RPM | 1450 RPM | 1750 RPM | 1450 RPM |
| Seal Water Flow | 8 GPM | | 12 GPM | |
| Noise Level | 74 dBA @ 60 Torr (3 ft) | | | |
| Maximum Allowable Suction Temperature | 220°F (Hot Pump) | | | |

Typical Pumping Speed Curves



- 1.) Above performance data based on 68° F inlet air with 50% relative humidity and using water as a sealant at 60° F.
- 2.) All SS pump capacity less 10%

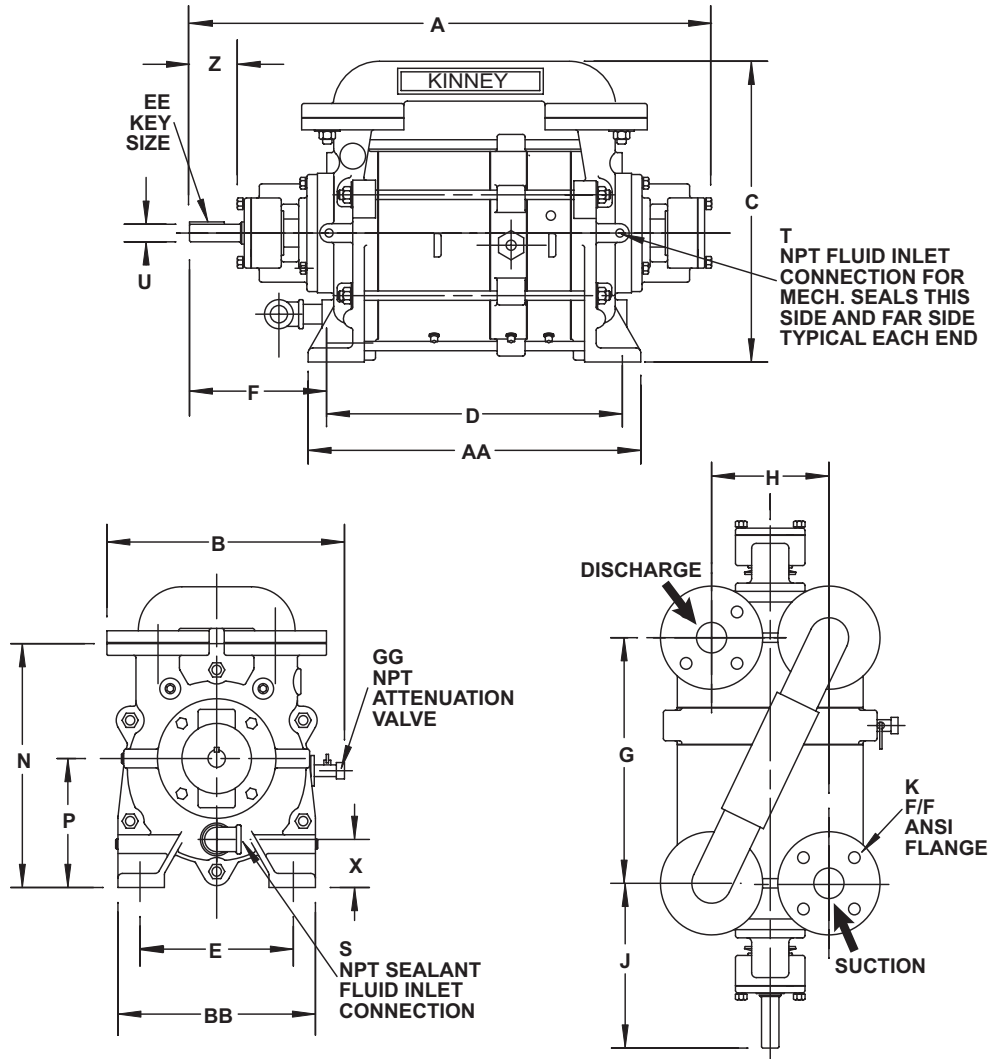
Dimensions

Values shown are approximate and should not be used for construction.
 Certified drawings are available through your local Kinney Sales Professional.

Bare Shaft Pump

Models: **KLRC-200 & KLRC-300**

PUMP ROTATION CLOCKWISE
 FACING PUMP SHAFT

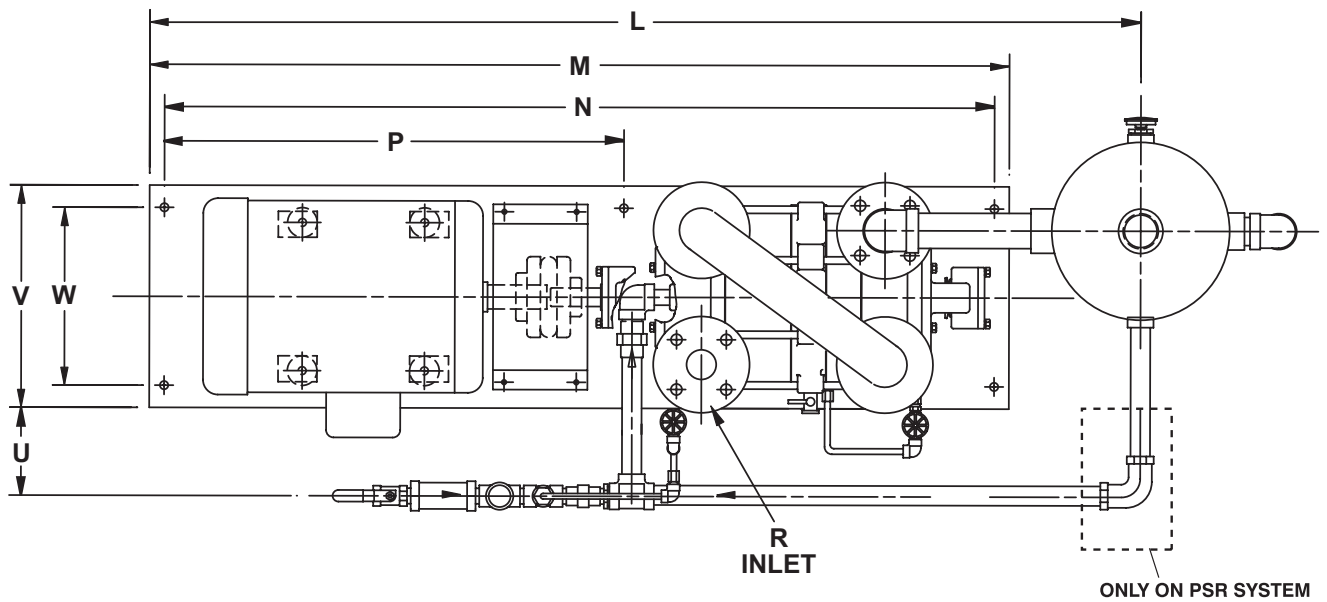
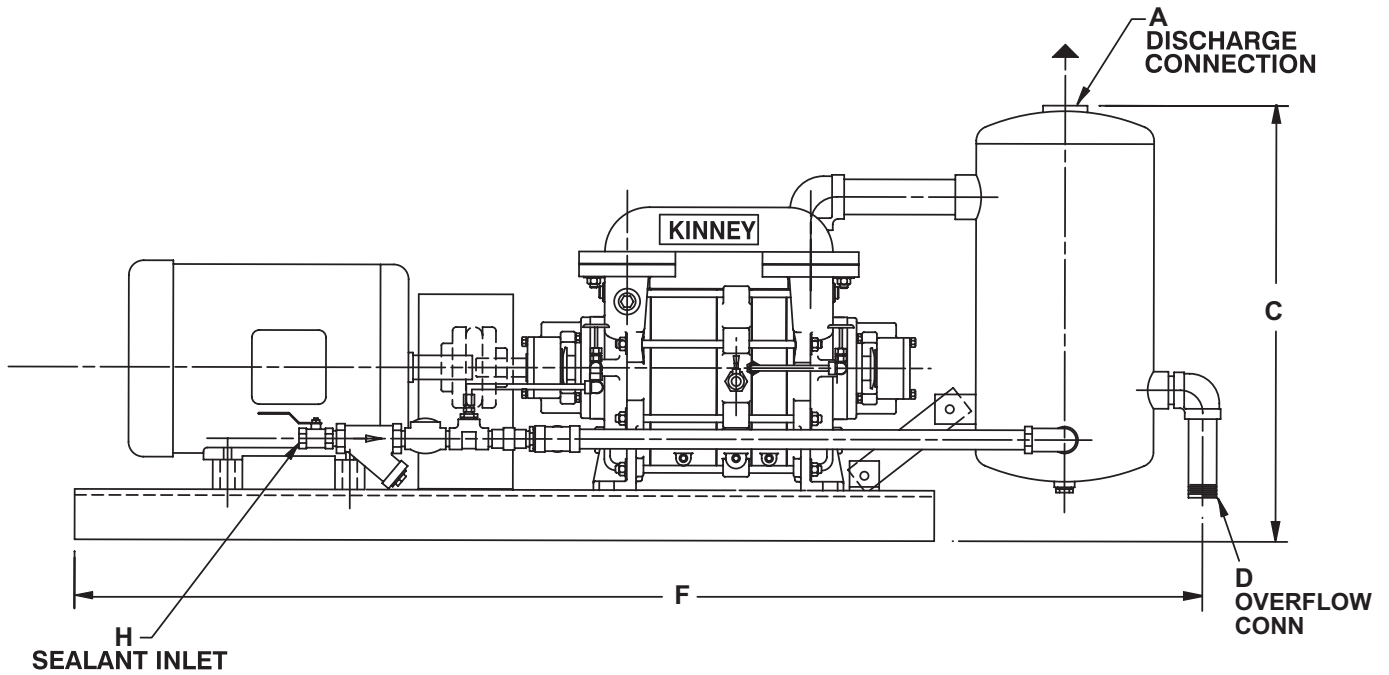


| in mm | A | B | C | D | E | F | G | H | J | K | N |
|----------|-----------------|---------------|---------------|-----------|--------------|----------------|----------------|---------------|----------------|---------|---------------|
| KLRC-200 | 29 11/16 754 | 16 7/8 428 | 19 1/8 486 | 15 381 | 9 1/4 235 | 8 13/16 224 | 12 3/8 314 | 9 1/16 230 | 10 3/16 259 | 2" ANSI | 15 1/4 387 |
| KLRC-300 | 33 9/16 853 | 16 7/8 428 | 19 1/8 486 | 19 483 | 9 1/4 235 | 8 13/16 224 | 16 5/16 414 | 9 1/16 230 | 10 3/16 259 | 2" ANSI | 15 1/4 387 |

| in mm | P | S | T | U | X | Z | AA | BB | EE | GG | APPROX WEIGHT LBS / kg |
|----------|--------------|--------|----------|--------|--------------|---------|-----------------|---------------|-----------------|----------|------------------------------|
| KLRC-200 | 8 1/4 210 | 1" NPT | 1/4" NPT | 1 1/4" | 3 3/8" 86 | 3 76 | 16 15/16 430 | 11 3/4 299 | 1/4 x 1/4 | 1/4" NPT | 360 / 163 |
| KLRC-300 | 8 1/4 210 | 1" NPT | 1/4" NPT | 1 1/4" | 3 3/8" 86 | 3 76 | 20 7/8 530 | 11 3/4 299 | | 1/2" NPT | 405 / 184 |

NSR (No Sealant Recovery) & PSR (Partial Sealant Recovery) System

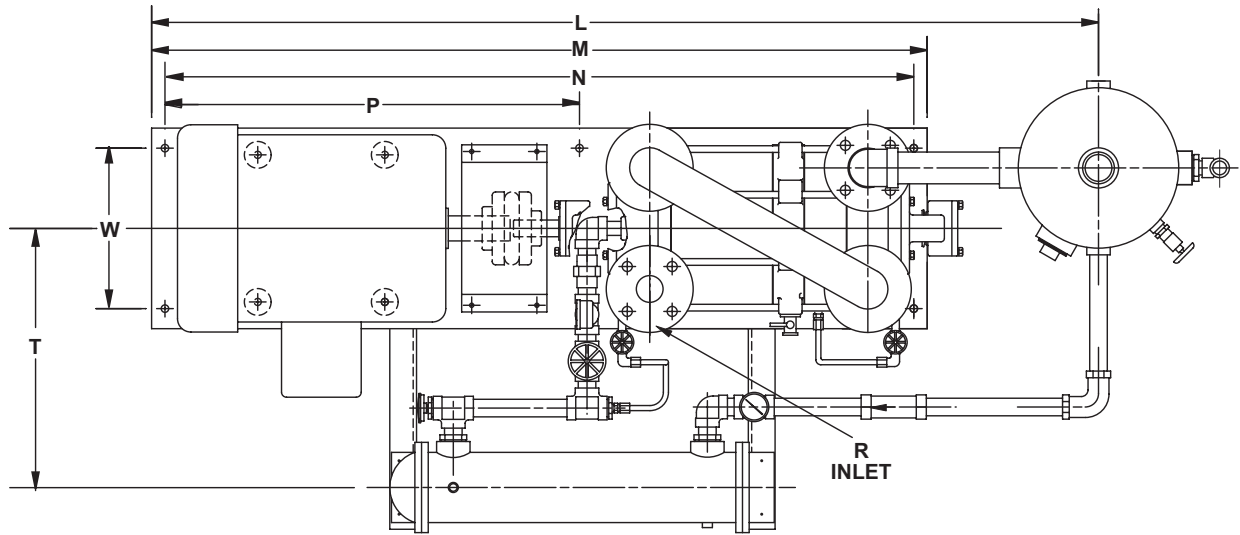
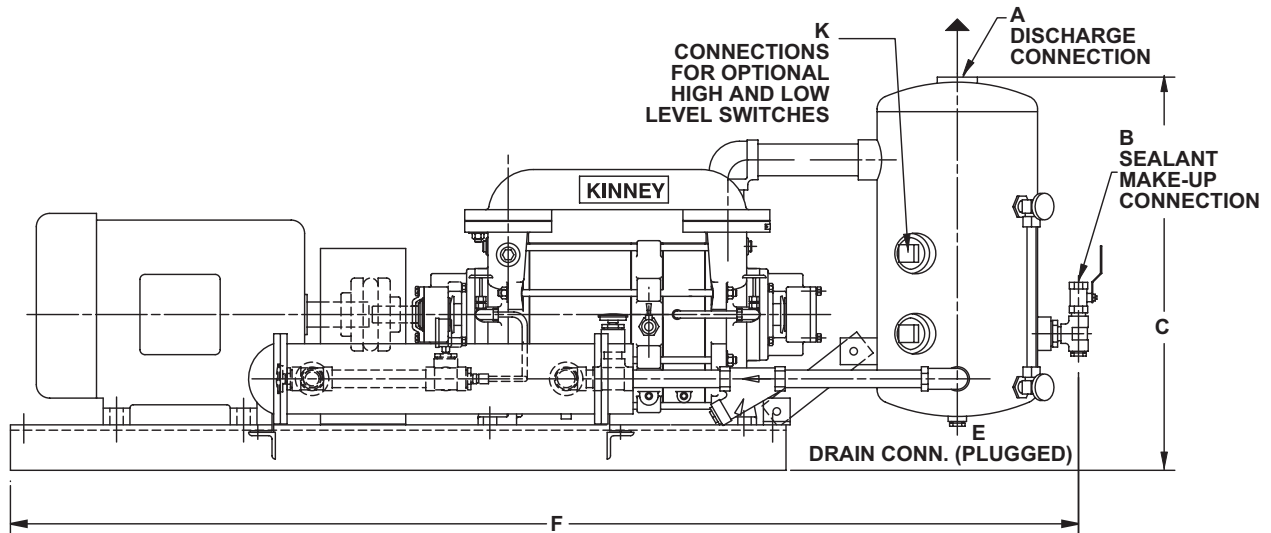
Models: KLRC-200 & KLRC-300



| in mm | A | C | D | F | H | L | M | N | P | R | U | V | W | APPROX. WEIGHT LBS / kg |
|----------|--------|---------------|------------|-----------------|----------|------------------|------------|------------|-----------|---------------|----------------|-----------|-----------|-------------------------------|
| KLRC-200 | 2" NPT | 29 3/8 746 | 1 1/2" NPT | 76 7/16 1942 | 3/4" NPT | 66 7/8 1699 | 58 1473 | 56 1422 | 31 787 | 2" F/F Flange | 6 13/16 173 | 15 381 | 12 305 | 840 381 |
| KLRC-300 | 2" NPT | 29 3/8 746 | 1 1/2" NPT | 81 2057 | 3/4" NPT | 70 13/16 1799 | 58 1473 | 56 1422 | 31 787 | 2" F/F Flange | 7 5/16 186 | 15 381 | 12 305 | 920 417 |

FSR (Full Sealant Recovery) System

Models: KLRC-200 & KLRC-300



| in mm | A | B | C | E | F | K | L | M | N | P | R | T | W | APPROX. WEIGHT LBS / kg |
|----------|-----------|-------------|---------------|-------------|------------|---------------|------------------|------------|------------|-----------|------------------|---------------|-----------|-------------------------------|
| KLRC-200 | 2" NPT | 3/4" NPT | 29 3/8 746 | 3/4" NPT | 76 1930 | (2) 2" NPT | 66 7/8 1698 | 58 1473 | 56 1422 | 31 787 | 2" F/F FLANGE | 18 1/8 460 | 12 305 | 1220 553 |
| KLRC-300 | 2" NPT | 3/4" NPT | 29 3/8 746 | 3/4" NPT | 80 2032 | (2) 2" NPT | 70 13/16 1799 | 58 1473 | 56 1422 | 31 787 | 2" F/F FLANGE | 19 5/8 498 | 12 305 | 1252 568 |

CONTACT US

For more information, contact your
Regional Sales Manager or call us at:

1-800-825-6937

Your Local Sales Professional:

