



Oil Mist Eliminators

SME Series



protecting your equipment • protecting your environment

Solberg's SME Series is the standard line of blower assisted oil mist eliminators. The SME series is a modular configuration designed to be highly effective, economical, and readily available.

Solberg designs and manufactures high efficiency oil mist removal systems to capture oil mist and particulate emissions from turbo machinery and engines. Solberg's SME series optimizes equipment performance, offers a safe and clean work environment, and reduces costly repairs and maintenance.

Applications Include

- Centrifugal compressors
- Gas and steam turbines
- Turbo expanders
- Lube oil consoles
- Gearboxes
- Coupling guards
- Stationary engines
- Marine engines
- And other similar equipment

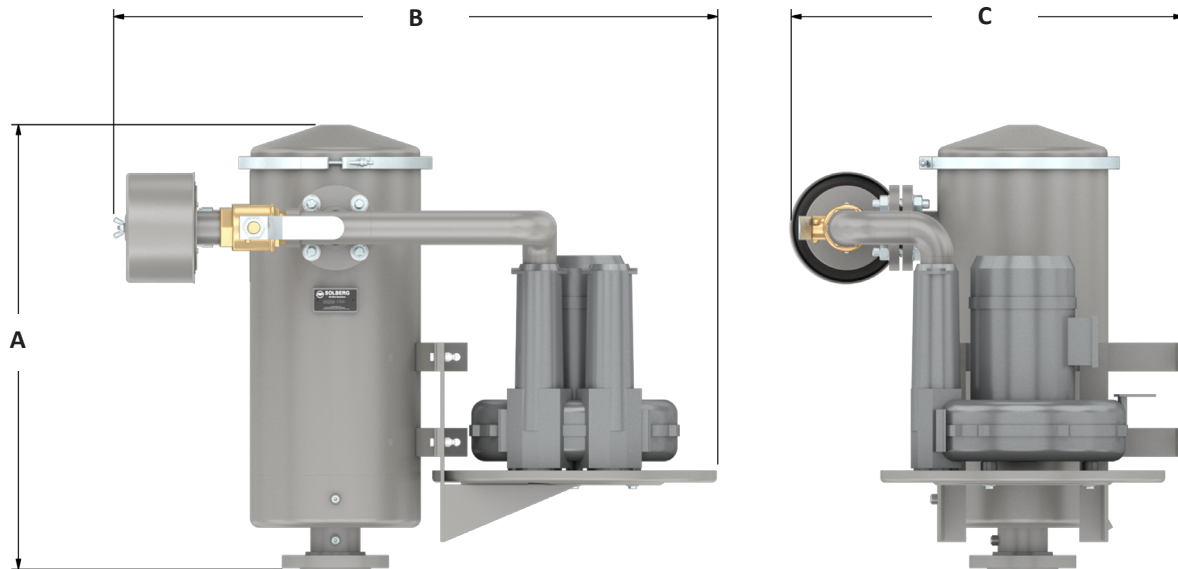


Design Features

- Eliminates visible emissions (99.97% efficient for 0.3 micron oil mist)
- High performance replaceable coalescing elements offer long life
- Flow ranges from 20-175 CFM
- Vacuum level control valve for precise vacuum regulation
- Integrated vacuum relief valve for motor protection
- Drain port for oil recovery
- Pressure differential taps
- Motors for both Standard EU and North American Voltages
- Rugged carbon steel construction
- Industrial grade powder coat finish



SME Mist Eliminator Specifications

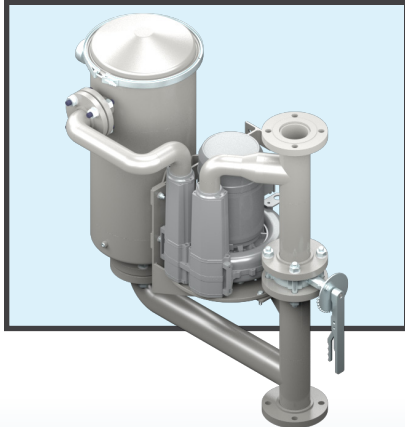


Part #	Flow Rate 50Hz/60Hz	A	B	C	Vacuum Level	Drain Connection	Element	Separator Efficiency	Motor Specs*	Voltage	Horsepower
SME-M-C-A30-MOR	20 / 30 CFM	18.6" 471 mm	30.0" 763 mm	20.4" 517 mm	-1" to -5" WC	0.5" NPT	CEG850/1	99.97% @ 0.3 micron	Class F, TEFC, 40C, IP55	400/460V	0.75 HP 0.56 kW
SME-M-C-A75-MOR	50 / 75 CFM	20.1" 510 mm	35.8" 909 mm	22.4" 568 mm			CEG244/2				1.5 HP 1.13 kW
SME-M-C-A125-MOR	80 / 125 CFM	31.2" 793 mm	37.1" 943 mm	27.5" 699 mm			CEG344/2				2 HP 1.5 kW
SME-M-C-A175-MOR	125 / 175 CFM	31.2" 793 mm	42.4" 1078 mm	27.5" 699 mm			CEG444/2				3 HP 2.25 kW

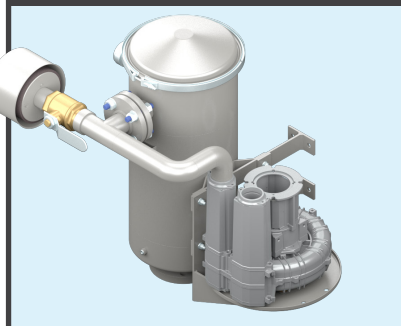
*Standard electric motor offering, other options available. Contact factory.

Optional Configurations

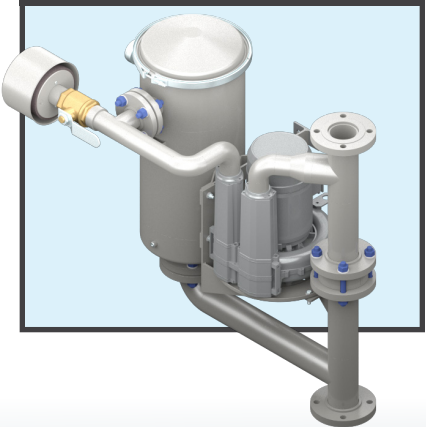
Recirculation Option



Custom Motor Option



Bypass Option





1151 Ardmore Avenue. Itasca, IL 60143 USA

Sales/Service: 630.773.1363

Fax: 630.773.0727

sales@solbergmfg.com

www.solbergmfg.com